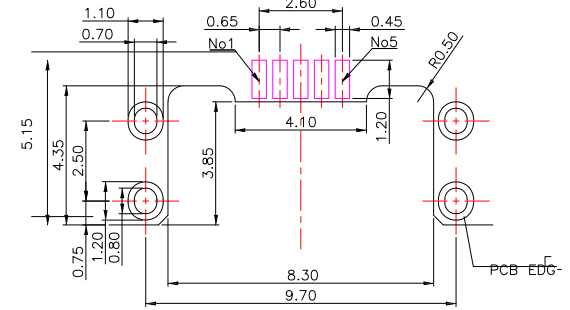
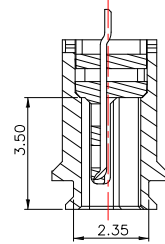
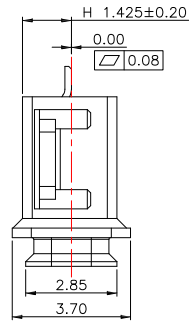
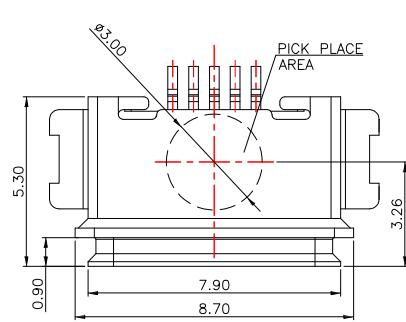
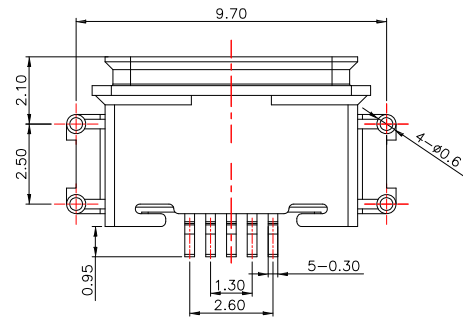
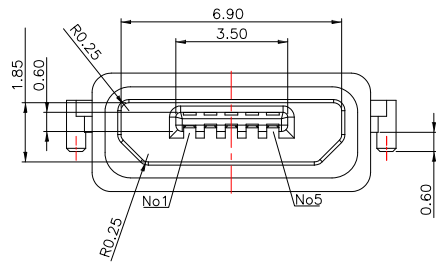


IPX7



P.C.B LAYOUT MOUNTING PATTERN



MRUSB-5B-WP11-x-S382

鍍層厚度 :

Blank : 1u"
2 : 15u"
3 : 30u"

NOTES:

MATERIAL:

- 1.1 HOUSING: HIGH-TEMP
- 1.2 CONTACT: COPPER ALLOY
- 1.3 SHELL: SUS

FINISH:

- 2.1 CONTACT: PLATED GOLD IN MATING AREA ;
GOLD PLATED ON SOLDER BALLS ;
NICKEL UNDER PLATED OVERALL
- 2.2 SHELL: NICKEL UNDER PLATED SURFACE LAYER

3.SPECIFICATION:

- 3.1 RATING: 1.8A(PIN1&5) , 0.5A(PIN2&3&4)
- 3.2 DIELECTRIC WITHSSTANDING VOLTAGE: 100 VAC
- 3.3 CONTACT RESISTANCE: 30 mΩ MAX.
- 3.4 INSULATION RESISTANCE: 1000 MΩ MIN.

ITEM NO.	DESCRIPTION	DRAWN	DATE
4	更新圖面	Jack	042220
3	更新圖面	Jack	061118
2	更新圖面	Jack	051418
1	更新為A0版	Jack	041018

CONTACT 建倚科技股份有限公司
CONTACT TECHNOLOGY CORP.

TOLERANCE UNLESS OTHERWISE STATED:	Up to 5 ±0.2	3RD. ANGEL'S	UNITS	MM
	Above 5 ~ 15 ±0.3			
	Above 15 ~ 30 ±0.4			
	Above 30 ~ 50 ±0.5			
	Angle ±0.3°			

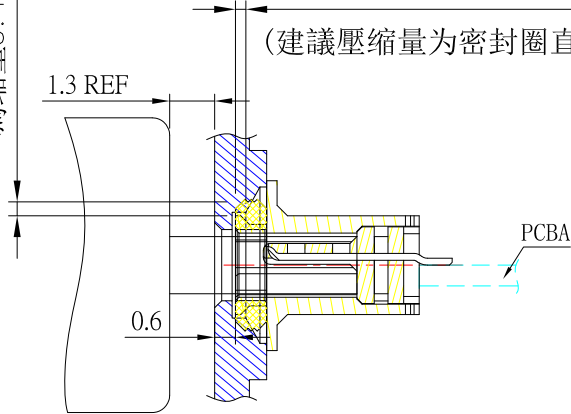
DRAWN BY:	DATE	MAT'L	TITLE	CONNECTOR
Jack Lu	04/22/20			
CHECKED BY:	DATE	FINISH	MODLE	MICRO USB 5PF B TYPE 沉板板上 H 1.42 IPX7
Jacky Chen	04/22/20			
APPROVED BY:	DATE	SCALE	DWG NO.	MRUSB-5B-WP11-x-S382
Tony Kao	04/22/20	1 : 1		
		SHEET NO.	PART NO.	MRUSB-5B-WP11-x-S382
		1 of 2		
				SIZE A4
				VER R4

IPX7

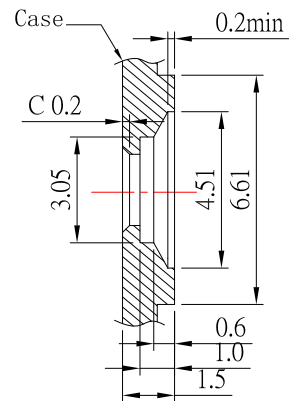
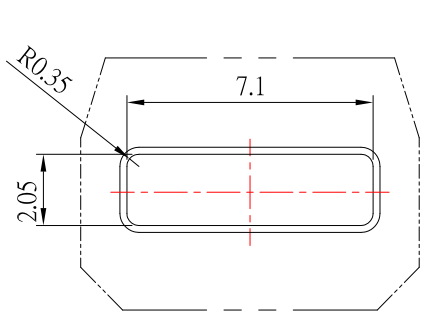
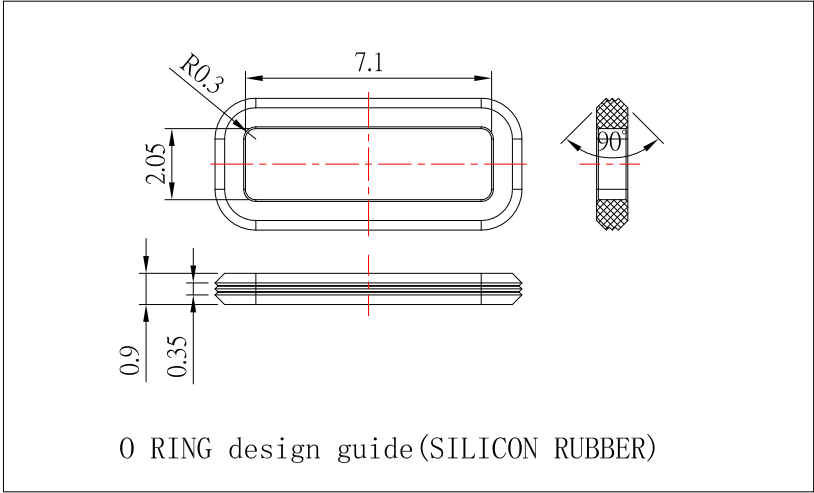


機殼面板對密封圈
為縮量0.40Min

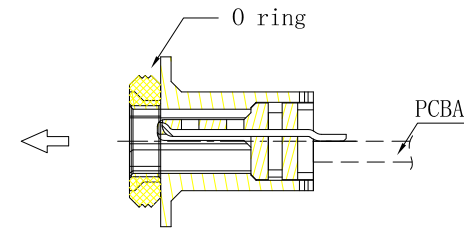
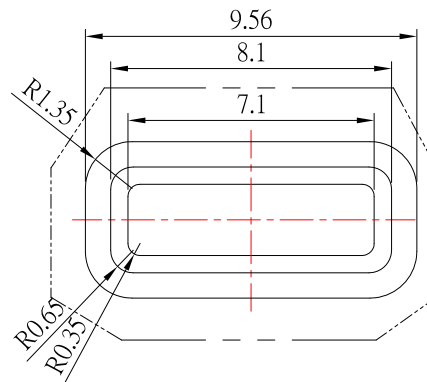
機殼面板對密封圈為縮量0.30Min
(建議壓縮量為密封圈直徑大小40-50%)



COMPRESSION RATIO TO BE 40%-50%



RECOMMENDED OPEN DIMENSION OF CASE



ITEM NO.	DESCRIPTION	DRAWN	DATE
4	更新圖面	Jack	042220
3	更新圖面	Jack	061118
2	更新圖面	Jack	051418
1	更新為A0版	Jack	041018

CONTACT 建倚科技股份有限公司
CONTACT TECHNOLOGY CORP.

TOLERANCE UNLESS OTHERWISE STATED:
 Up to 5 ±0.2
 Above 5 ~ 15 ±0.3
 Above 15 ~ 30 ±0.4
 Above 30 ~ 50 ±0.5
 Angle ±0.3°

3RD. ANGEL'S

UNITS MM

DRAWN BY:	DATE	MATL	TITLE	CONNECTOR
Jack Lu	04/22/20		MODLE	MICRO USB 5PF B TYPE 沉板 板上
CHECKED BY:	DATE	FINISH	DWG NO.	H 1.42 IPX7
Jacky Chen	04/22/20		SCALE	1 : 1
APPROVED BY:	DATE	SHEET NO.	PART NO.	MRUSB-5B-WP11-x-S382
Tony Kao	04/22/20	2 of 2	MRUSB-5B-WP11-x-S382	SIZE A4
				VER R4